

INSTRUCTIONS FOR INSTALLING A DOOR FRAME ASSEMBLY REPLACEMENT KIT IN A NATIONAL VENDORS®, CROWN SEVENTY TWO 140, 141 OR 142 SHOWCASE MERCHANDISER

**CHECK THE PARTS RECEIVED IN THE KIT WITH THE PARTS LIST IN THESE INSTRUCTIONS. IF ANY PARTS ARE MISSING, CONTACT NATIONAL VENDORS' PARTS DEPARTMENT IMMEDIATELY.**

These instructions cover the procedure for installing a Door Frame Assembly Replacement kit in a 140, 141 or 142 Showcase Merchandiser.

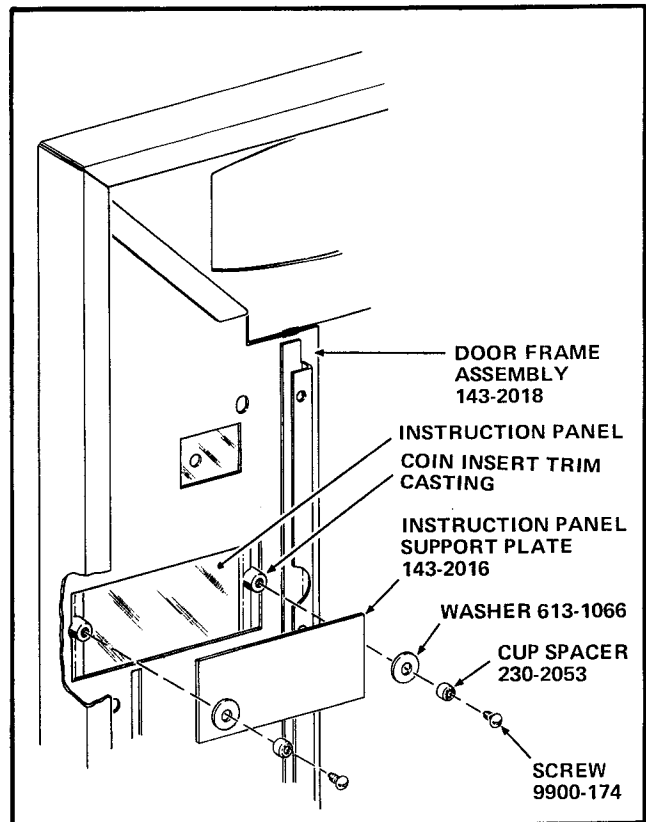
Read these instructions carefully and thoroughly before installing the kit. Retain these instructions for part number and installation information.

Door Frame Assembly Replacement kit, part number 140-2133, contains the following parts:

Part Number	Description	Quantity
143-2018	Door Frame Assembly	1
143-2016	Instruction Panel Support Plate	1
613-1066	Washer	2
230-2053	Cup Spacer	2
9900-174	No.8-32 x 5/16 RHS T/C Screw	2
140-2132	Installation Instructions	1
	* * *	

The Instruction Panel Support Plate included in this kit provides support to prevent the Instruction Panel from being forced in through the cut-out in the Door Frame Assembly. After installing the Instruction Panel and Coin Insert Trim Casting and before installing the Coin Chute Assembly, install the Instruction Panel Support Plate as follows:

1. Fit the Instruction Panel Support Plate included in the kit, part number 143-2016, into the cut-out in the Door Frame Assembly behind the Instruction Panel. See Figure.



2. Secure the Instruction Panel Support Plate by attaching the two Washers included in the kit, part number 613-1066, to the mounting bosses of the Coin Insert Trim Casting. Attach with the two Cup Spacers, part number 230-2053, and two Screws, part number 9900-174, included in the kit. See Figure.
3. Complete assembly of the Cabinet Door.